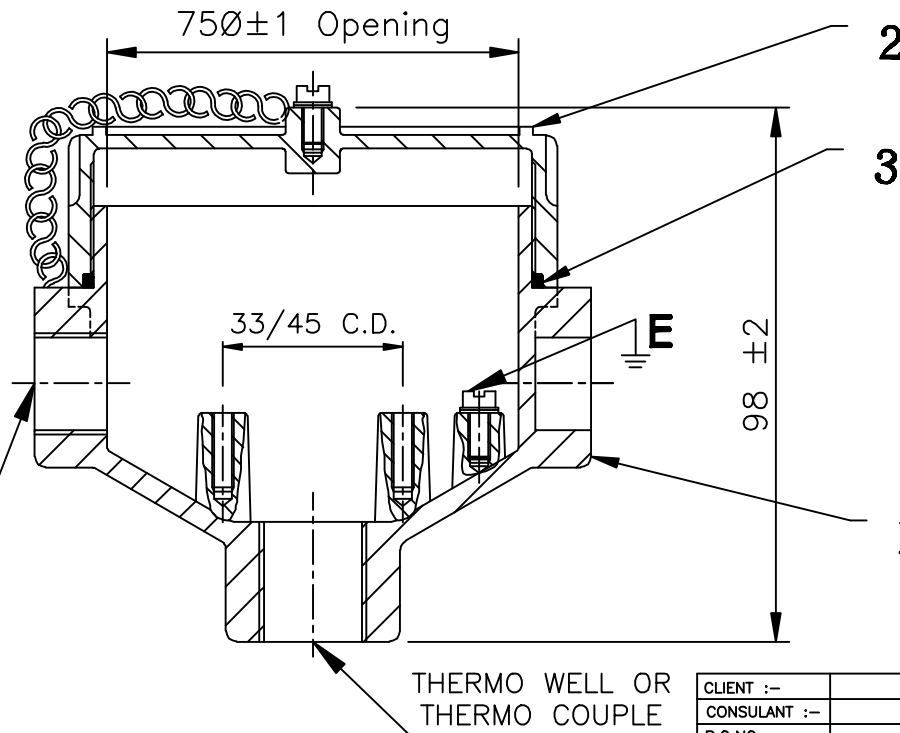
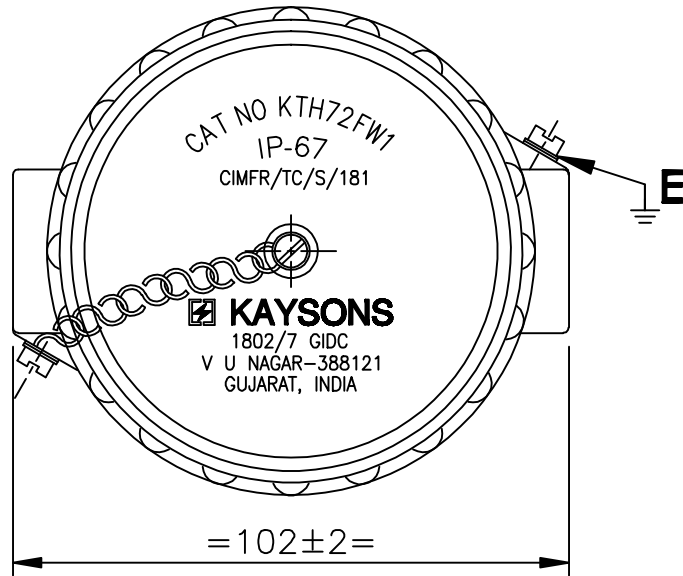


T.C. NO. :- CIMFR/TC/S/181
 CAT. NO./TYPE NO. :- KTH72FW1



TECHNICAL DATA

ENCLOSURE PROTECTION :-
 IP-67 AS PER IS/IEC (60529:2001)

TEMPERATURE CLASS :-
 T6

MATERIAL OF CONSTRUCTION :-
 PRESSURE DIE CAST AL. ALLOY LM-6/
 INVESTMENT CASTING S.S. 304/316 .

HARDWARE :-
 STEEL ZINC PLATED/STAINLESS STEEL

GASKET:-
 ENDLESS NEOPRENE

EARTHING :-
 1 NO. INSIDE & 1 NO. OUTSIDE

FINISH :-
 HAVELL'S GREY

CABLE ENTRY :-
 MAX. 2 NOS. 1"ET OR 3/4"BSP / NPT OR
 M25 / PG OR EQ.THREAD.

THERMO WELL OR THERMO COUPLE ENTRY :-
 1 NO. 1"ET OR 3/4"BSP / NPT OR
 M25 / PG OR EQ. THREAD.

NO.	DESCRIPTION	QTY	MAT./RATING
03.	GASKET (ENDLESS, MOULDED)	1	NEOPRENE
02.	COVER	1	OPTIONAL
01.	BODY	1	OPTIONAL

CLIENT :-	DRAWN	KBP	1.8.13	DESCRIPTION:- WEATHERPROOF THERMOCOUPLE / RTD HEAD.
CONSULTANT :-	APP'D	HPB	1.8.13	
P.O.NO. :-	CH'D	NPB	1.8.13	
KAYSONS 1802/7, G.I.D.C. ESTATE, TECHNO EQUIPMENTS PVT LTD V.U.NAGAR 388121. (GUJARAT)				SHT.NO. 1 OF 1 REV. 0 DRG.NO.:- M03

THE INFORMATION CONTAINED IN THIS DRAWING IS THE PROPERTY OF KAYSONS TECHNO EQUIPMENTS PVT. LTD. AND IS NOT TO BE COPIED OR MISUSED IN ANY WAY.

ISSUE	DATE	BY	MODIFICATION